



Printing Instructions:

On the printing menu be certain to select

Page Scaling: None or

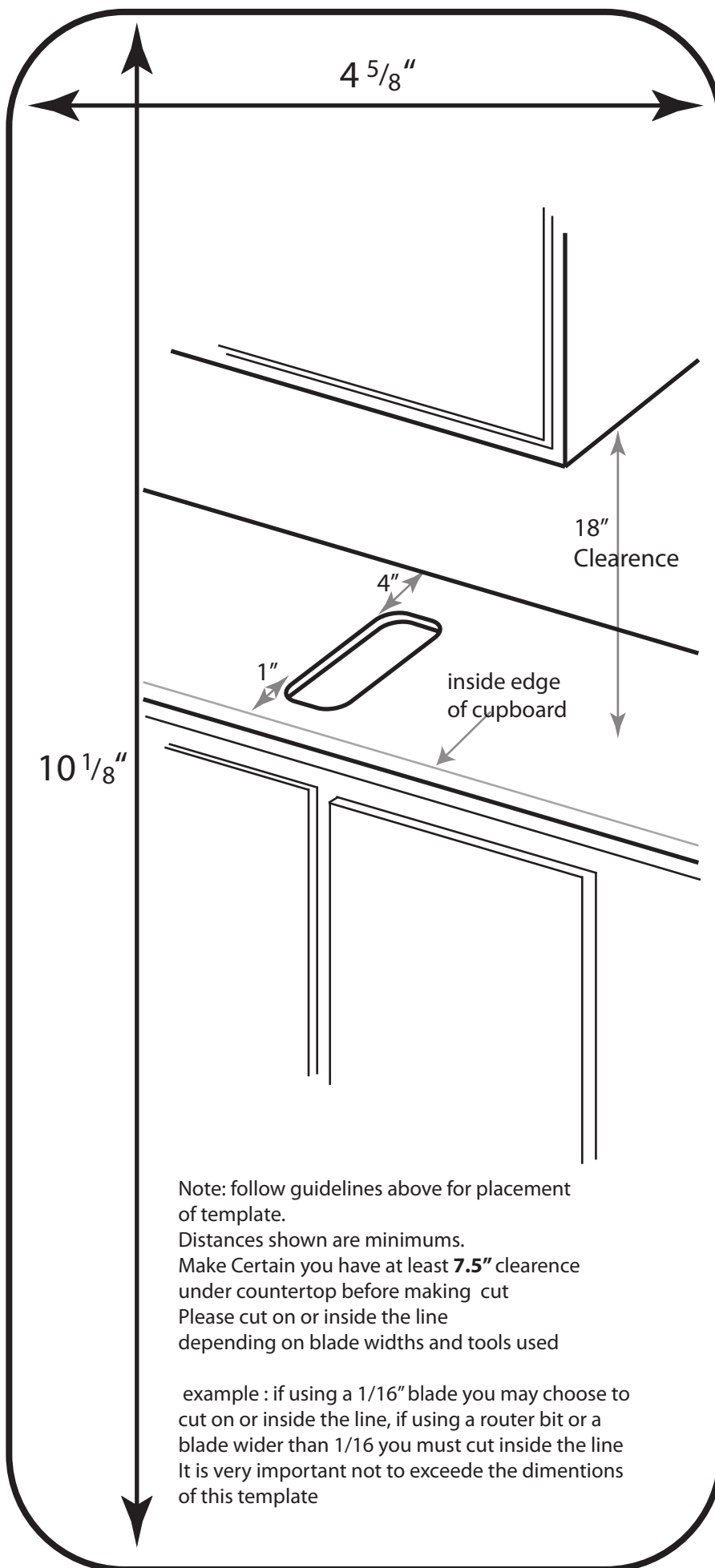
Page Scaling: 100% or

Do not scale

Depending on which option is presented to you

For installation tips and ideas please visit us at.

www.tcckitchencenter.com



Note: follow guidelines above for placement of template.

Distances shown are minimums.

Make Certain you have at least **7.5"** clearance under countertop before making cut

Please cut on or inside the line

depending on blade widths and tools used

example : if using a 1/16" blade you may choose to cut on or inside the line, if using a router bit or a blade wider than 1/16 you must cut inside the line It is very important not to exceed the dimentions of this template